

verco.

Bee

Booths & Personal Pods

Bee^{*}

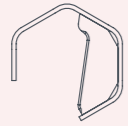
Upholstered Pods

Creating another new workspace for the agile working environment, Bee upholstered Personal Pods provide a new opportunity for greater differentiation in smart workspaces.

A combination of simplicity, practicality and wonderful aesthetics, emulating the natural environment, Bee provides a more exciting workspace that maintains a compact and practical workstation, whilst still being able to make the workplace visually exotic and intriguing.



*SMART WORKSPACES



Bee

Personal Pods

Quite literally reshaping the future for Personal Pods. The organic hexagonal shape of the Personal Pods instantly makes the office space more striking, more importantly it steers away from the conventional 'boxed' pod, to create personal workplaces with a more comfortable, 'natural' aesthetic and character. In turn the Personal Pods provide a better work environment for focused performance. The luxurious finish and fine attention to detail sets Bee apart and helps to release the stress often caused when working within high density working spaces.

Personal, practical and purposeful.

High panel height

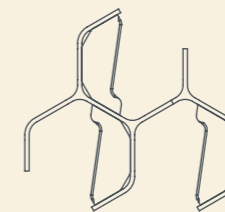


Medium panel height



Polished worktops

The option of a nano-technology laminate finish on a polished ply ergonomic worktop



Bee

Personal 'Cluster' Pods

Two-tone upholstery may be specified, to enhance the aesthetic of each Bee booth or pod.

Ergonomic, shaped worktops are available in all standard MFC finishes at no extra cost and are also available in nano technology laminate surface on a polished ply core.

Key features

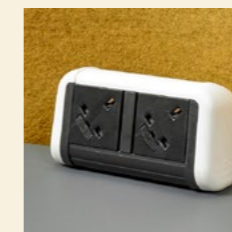
Elegant end caps

Elegant and practical nano-technology laminate top and end caps, on polished plywood. With low light reflectivity, it's ultra-matt surface is anti-fingerprint and features a very pleasant soft touch.



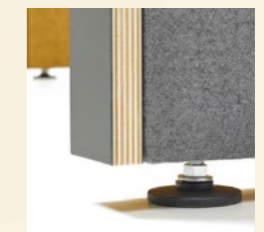
Power units

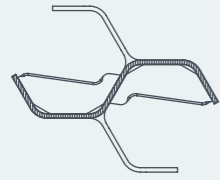
Power units may be easily incorporated, where required to ensure all your devices can be powered at the work station. Vertical wire management is made simple and effective.



Discreet feet

Discreet height levelling feet to provide maximum stability, even if the floor surface is uneven.





Bee

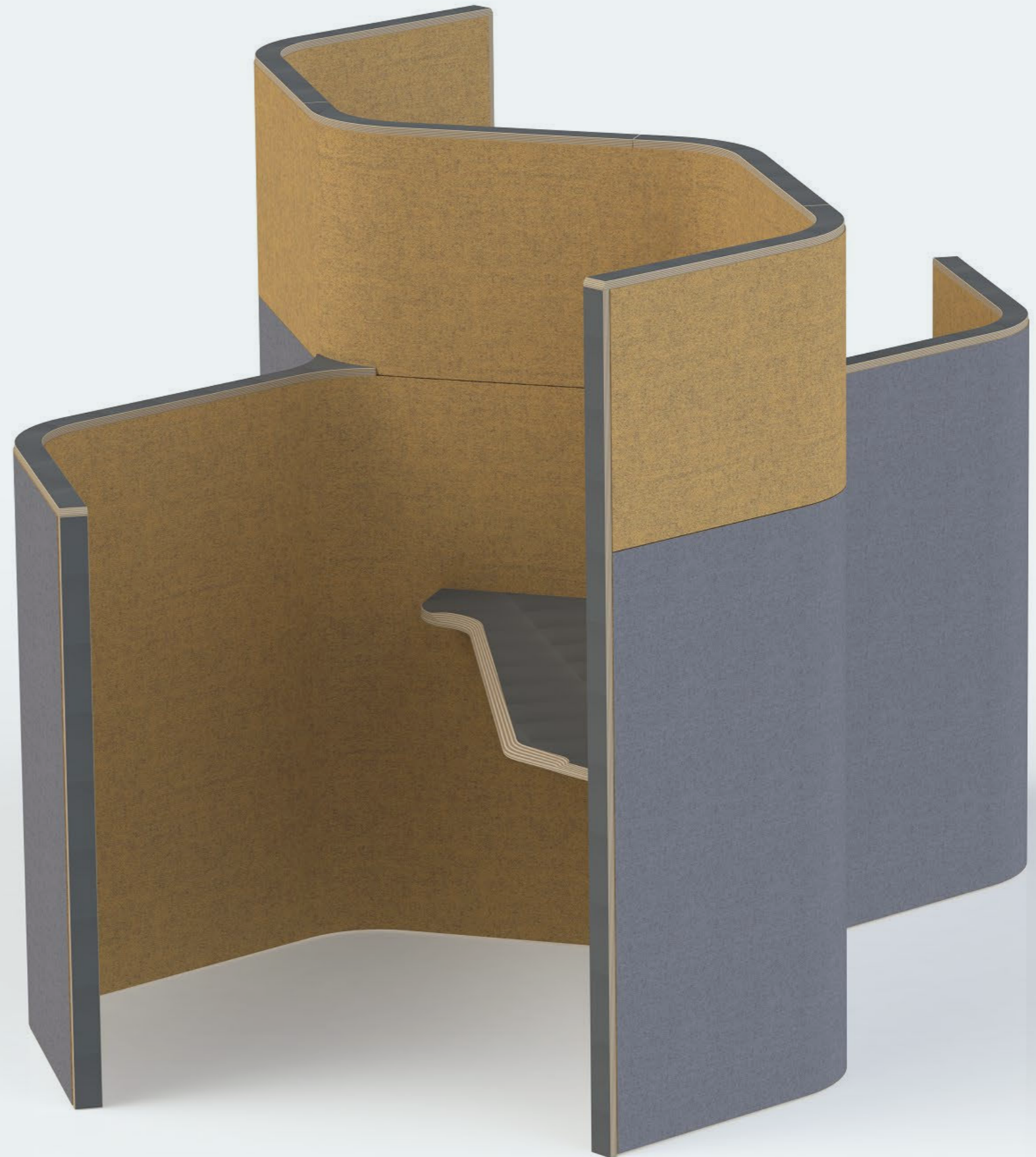
High Spine 'Cluster' Pods

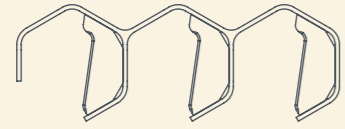
Bee can provide you with the opportunity to create more interesting, focused working or studying environments within the busy 'open plan' office, with an even greater appreciation of aesthetics and acoustics than previously available.

With both high and medium height panels, these Cluster Pods provide privacy and acoustic control when required, as well as maintaining a visual connection with the rest of the workplace.

Through its elegant and ergonomic design Bee can create a simple and clear architecture for the workplace, featuring high-tech laminate and sculpted, polished plywood finishes, combined with elegant upholstered panels up to a height of 1715mm.

Bee has been designed to both absorb and block the transfer of direct, transmitted, reflected and diffracted sound.





Bee

In-line Pods

An 'In-line' adaptation of the Cluster Pod. Bee's range of Personal Pods all provide excellent spatial comfort, so your personal workspace never feels too confined. Simple but effective acoustic and visual privacy and at little cost of room space.





Bee

In-line Work Booths

Similar to the Bee Pods but with an open design for a more interactive workstation within the workplace.

Booths and Pods are available at two heights 1200mm and 1715mm to provide the opportunity for different levels of acoustic and visual privacy.



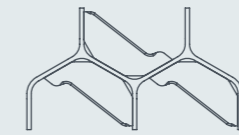
Blazer Lite Fabric

All panels are upholstered using foam backed Blazer Lite fabric from Camira, which is created from 100% Virgin wool.



Nano technology laminate

Top and end caps are manufactured from polished plywood with a nano technology laminate surface finish in Black or White as standard.

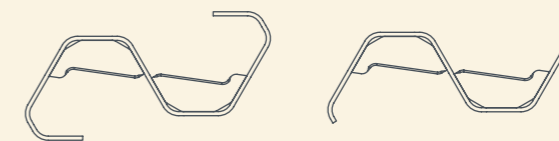


Bee

Back-to-Back Work Booths

The Bee range offers products to suit all spaces and levels of acoustic privacy required in an open workplace. Bee Back-to-Back Work Booths offer an open design for a more interactive workstation within the environment with enhanced acoustic privacy.



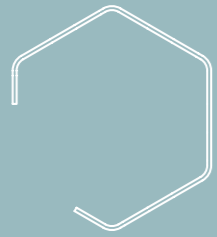


Bee

Focus Booths

Bee can provide you with the opportunity to create more interesting, focused working or studying environments within the busy 'open plan' office, with an even greater appreciation of aesthetics and acoustics than previously available.





Bee* Quiet Pods

Bee Quiet Pods can provide you with the opportunity to create a relaxed meeting space within a busy workplace.



*FIND YOUR QUIET SPACE...

Be as creative as you want; soft seating, tables, chairs or stools; it's your choice, you can decide how the space is utilised. With its simplistic, inviting form, Bee Quiet Pods offer a great solution for meeting places within busy working environments and is complemented by fully upholstered acoustic panels, Bee can easily create spaces for quick touchdowns, recharges or for longer work meetings that maintain privacy and aesthetics.



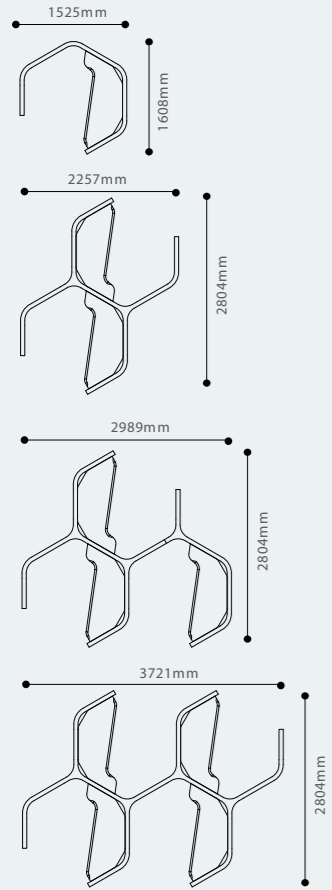
Medium panel height

Robust and sturdy, Bee can provide an interesting and inspiring architecture for informal and occasional meetings.

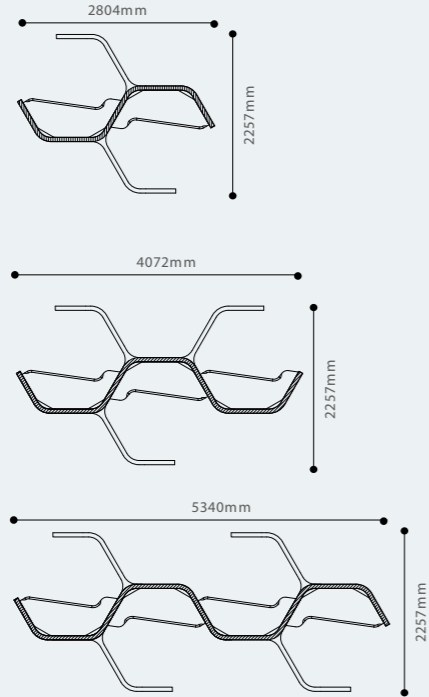


High panel height

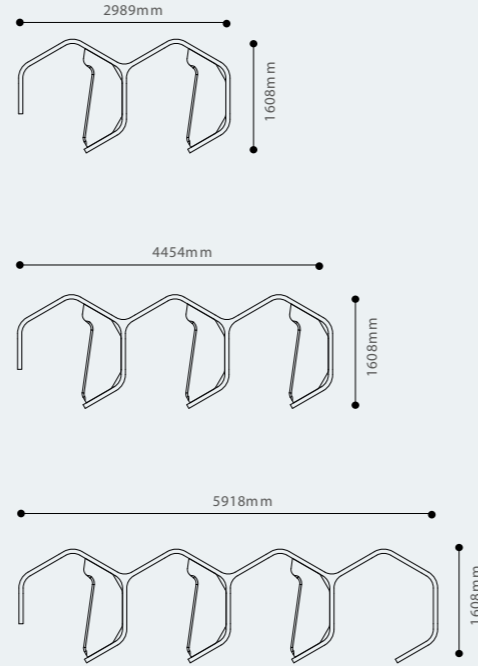
Bee: Cluster Pods



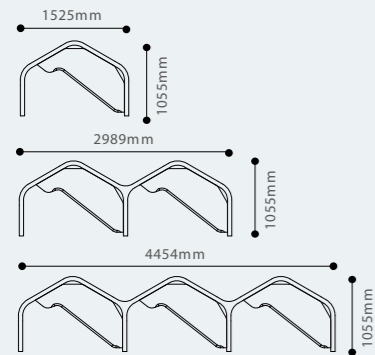
Bee: High Spine 'Cluster' Pods



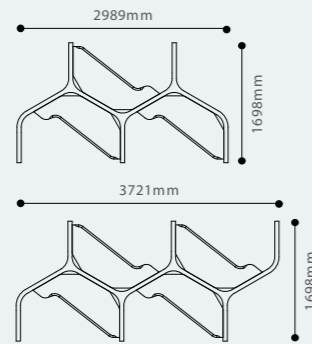
Bee: In-line Pods



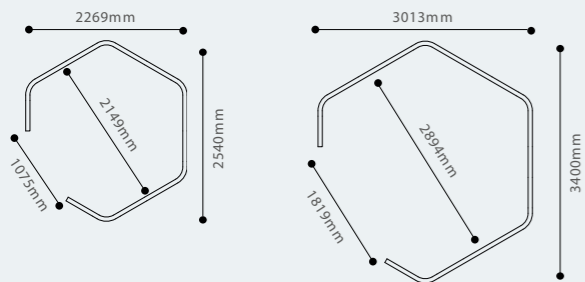
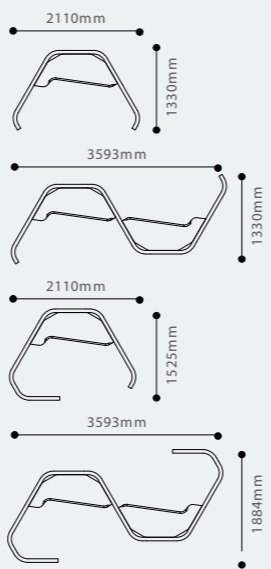
Bee: Work Pods



Bee: Back-to-Back Work Booths

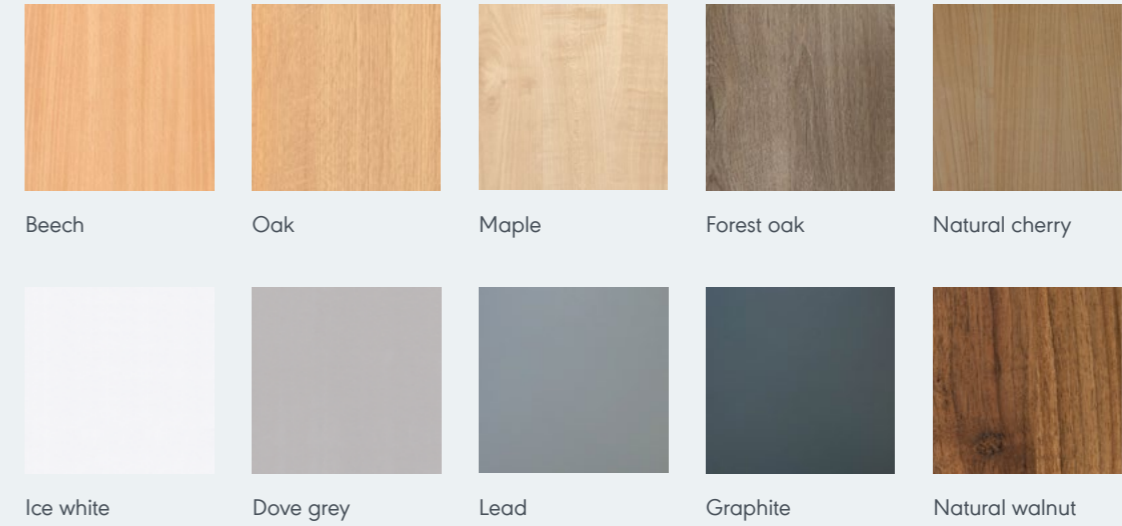


Bee: Focus Booths

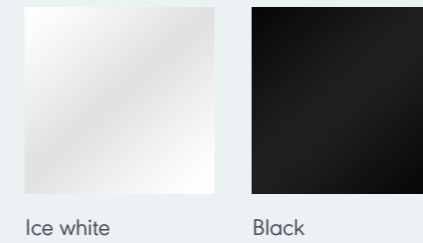


Specification

Standard MFC worktop finishes



Standard nano-tech laminate



Non-standard nano-tech matt laminate top cap finishes are also available.

verco.

Verco Home

Chapel Lane High Wycombe
Buckinghamshire HP12 4BG

+44 (0) 1494 448 000

Verco London

Clerkenwell House 67 Clerkenwell Road
London EC1R 5BL

+44 (0) 207 404 0428

verco.co.uk