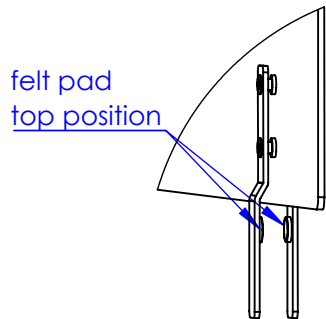
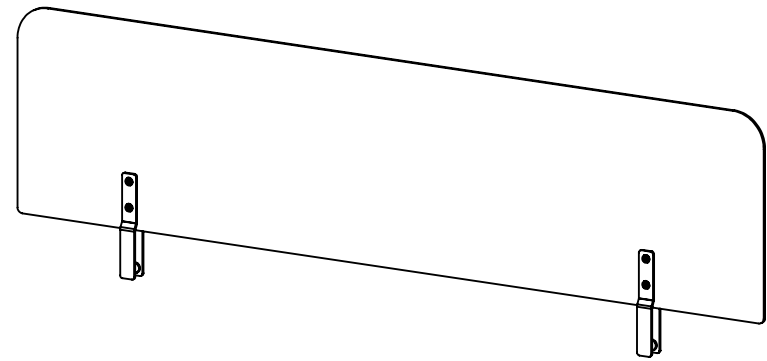
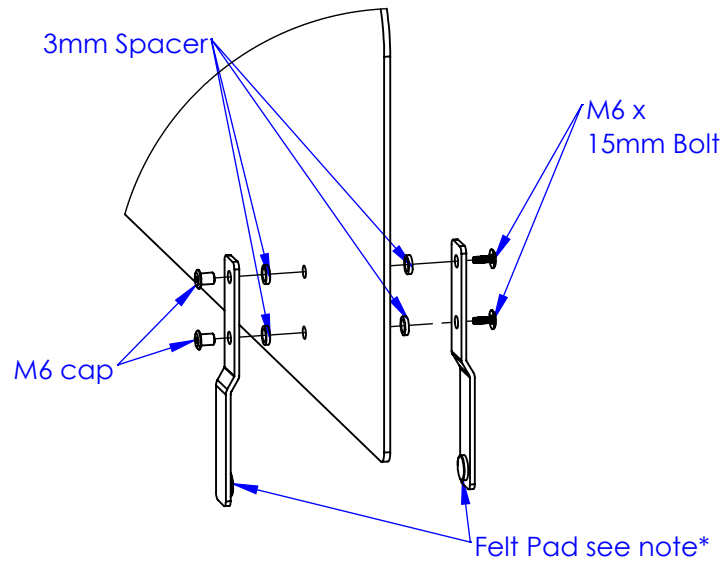


5mm Acrylic OSAO Screen.
Bracket fitting to suit 25mm Oblique
Aluminium frame screens

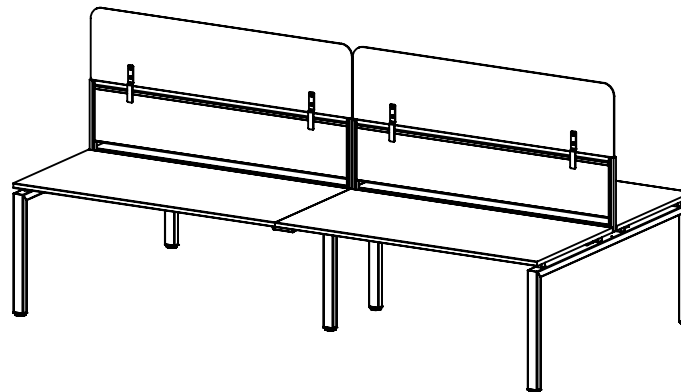


Fitting Method

- loosley fit the brackets as shown
- slide the add on screen over the existing screen.
- pinch up the top bolt
- tighten the lower bolt until secure

*** Felt pad position.**

If screen is fitted to Aluminium frame screen with perspex panel the felt pad must be positioned towards the top of the bracket to grip the screen frame



Oblique Add On Screen Bracket Fixing

verco.

t: +44 (0) 448000 w: verco.co.uk

AI_0065 rev.3 PR 28/09/2021