

VISUAL Two

Interactive
Crescent Desk

1 Carefully remove **Desk Top (A)** from packaging, place **Desk Top (A)** upside down on top of empty packaging. Remove **Fixings** from separate packaging.

Check all items against the **Contents List**, should any parts be missing, please contact **Customer Services** on **01494 448000**.

2 Take 2x **Metal Minifix Bolts (J)**, and screw into 2x Pre-Drilled Holes on side of **800mm Leg Frame (D)**.

3 Take 2x **Metal Minifix Bolts (J)**, and screw into 2x Pre-Drilled Holes on side of **600mm Leg Frame (E)**.

4 Take 4x **Metal Minifix Bolts (J)** and screw 'finger-tight' into both sides of **Corner Column (F)**. Take care not to over-tighten **Metal Minifix Bolts (J)**.

5 Fix **Back Panel Bracket (G)** onto inside of **Long Modesty Panel (B)** using 2x **Flange Head Screws (H)** into the 2x Pilot Holes.

7 Carefully position **800mm Leg Frame (D)** over 3x Pilot Holes on 800 side of **Desk Top (A)**. Using 3x **Mushroom Head Screws (I)** and a Phillips Screwdriver, fix **800mm Leg Frame (D)** to **Desk Top (A)**.

8 Offer **Long Modesty Panel (B)** up to **800mm Leg Frame (D)**, ensuring that **Minifix Cams (K)** are fully located over **Metal Minifix Bolts (J)**. Using a Phillips Screwdriver, turn **Minifix Cams (K)** 180° clockwise to lock in position.

9 Take **Corner Column (F)**, and locate **Metal Minifix Bolts (J)** into remaining **Minifix Cams (K)** on **Long Modesty Panel (B)**, and tighten as above.

10 Take **Short Modesty Panel (C)** and offer up to **Corner Column (F)**, ensuring that **Minifix Cams (K)** are fully located over **Metal Minifix Bolts (J)**, but do not tighten.

11 Take **600mm Leg Frame (E)** and locate **Metal Minifix Bolts (J)** fully inside **Minifix Cams (K)** in **Short Modesty Panel (C)**, and tighten.

12 Lift and place **600mm Leg Frame (E)** over 3x Pilot Holes on 600 Return side of **Desk Top (A)**. Using 3x **Mushroom Head Screws (I)** and a Phillips Screwdriver, fix **600mm Leg Frame (E)** to **Desk Top (A)**.

13 Position Complete Frame so that **Corner Column (F)** is in position over Cable Port hole as shown in **Figure 2**. Tighten up all **Minifix Cams (K)** which remain unlocked.

14 Using 2x **Mushroom Head Screws (I)**, fix **Corner Column (F)** to **Desk Top (A)**. Take 1x **Flange Head Screw (H)** and fix **Back Panel Bracket (G)** to underside of **Desk Top (A)**.

15 With the assistance of at least one other person, carefully turn entire Desk over and place in desired position.

OFFICE FURNITURE LIMITED

t. +44 (0) 1494 448000

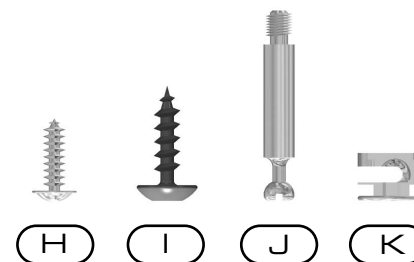
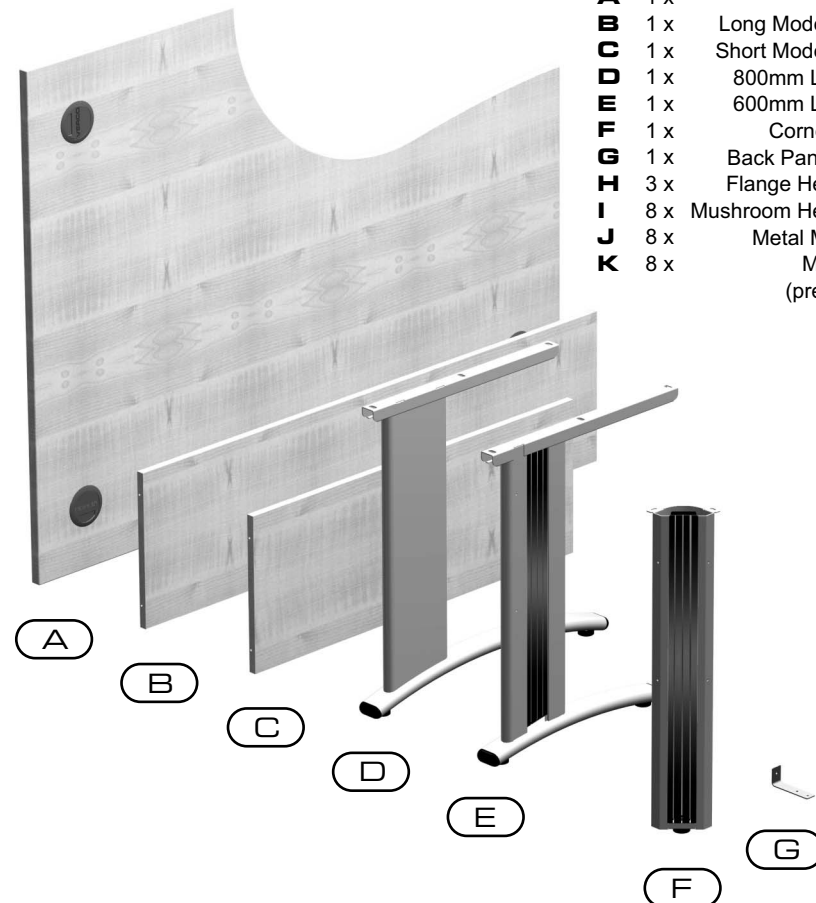
w. www.verco.co.uk

VISUAL Two

Interactive
Crescent Desk

CONTENTS

| | | |
|----------|-----|-------------------------------|
| A | 1 x | Desk Top |
| B | 1 x | Long Modesty Panel |
| C | 1 x | Short Modesty Panel |
| D | 1 x | 800mm Leg Frame |
| E | 1 x | 600mm Leg Frame |
| F | 1 x | Corner Column |
| G | 1 x | Back Panel Bracket |
| H | 3 x | Flange Head Screw |
| I | 8 x | Mushroom Head Screw |
| J | 8 x | Metal Minifix Bolt |
| K | 8 x | Minifix Cam (pre-inserted) |



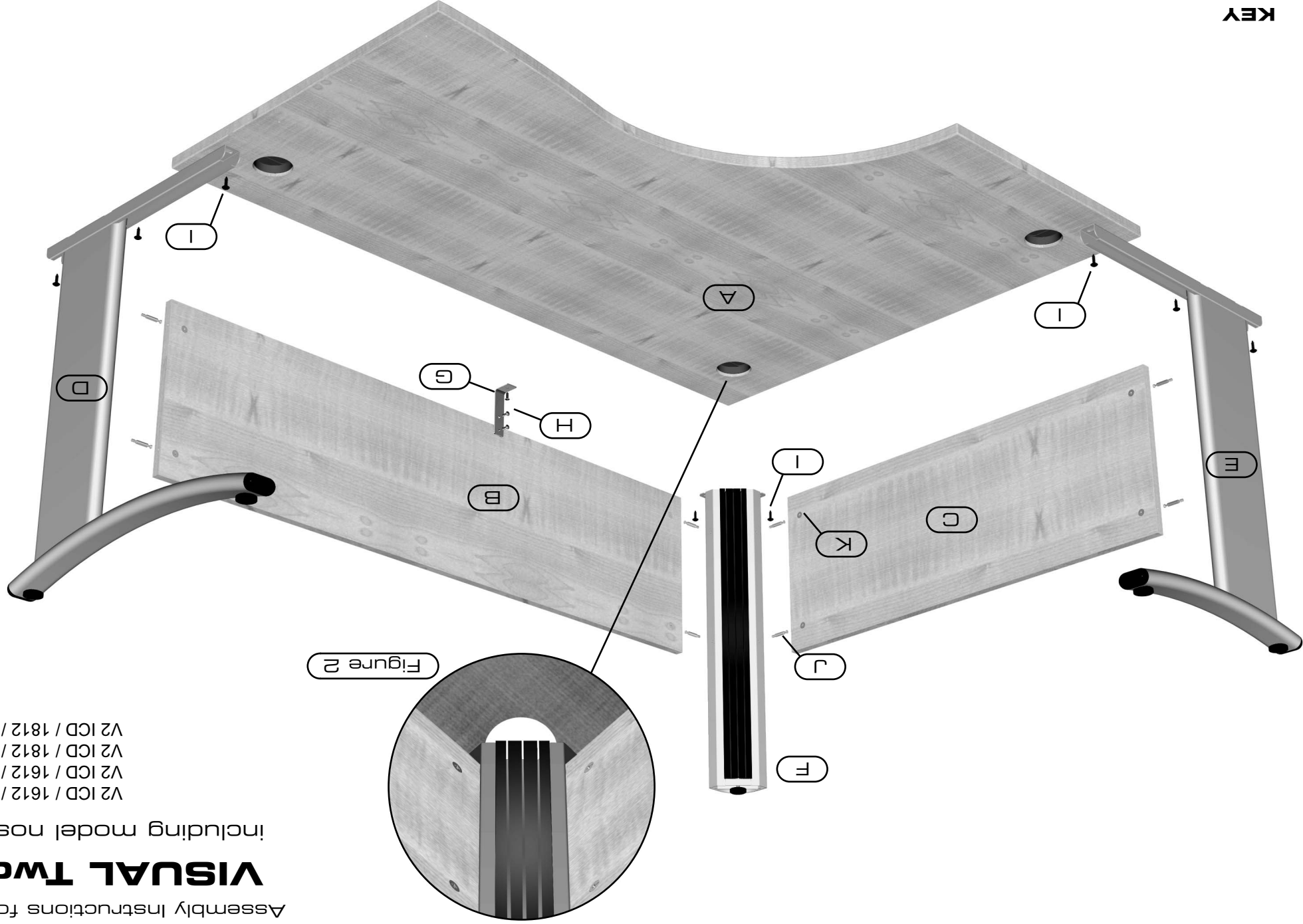
PLEASE CAREFULLY
READ INSTRUCTIONS
BEFORE COMMENCING
ASSEMBLY OF DESK

VISUAL TWO

including model nos:

- V2 ICD / 1612/L
- V2 ICD / 1612/R
- V2 ICD / 1812/L
- V2 ICD / 1812/R

Figure 2



KEY

- A Desk Top
- B Long Modesty Panel
- C Short Modesty Panel
- D 800mm Leg Frame

- E 800mm Leg Frame
- F Corner Column
- G Back Panel Bracket
- H Flange Head Screw

- I Mushroom Head Screw
- J Metal Minifix Bolt
- K Minifix Cam (pre-inserted)