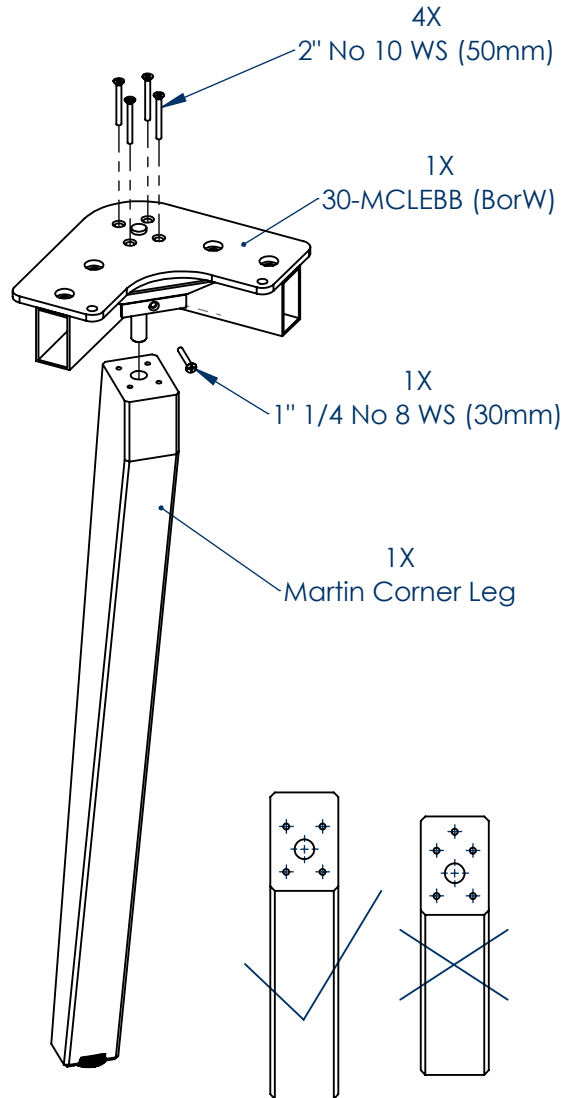


step 1

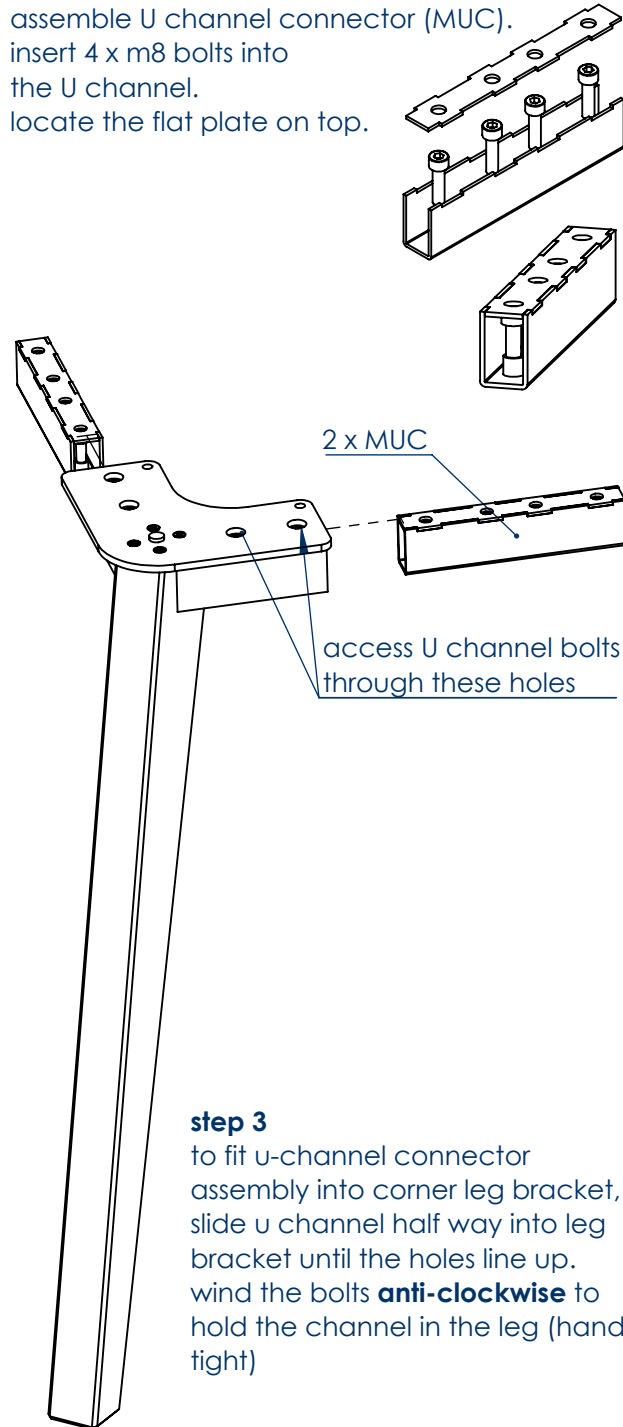
identify corner leg then fix corner leg bracket to corner leg



**IDENTIFY CORNER LEG FROM
INTERMEDIATE LEG.
CORNER LEG HAS 5 HOLES
INTERMEDIATE LEG HAS 6 HOLES**

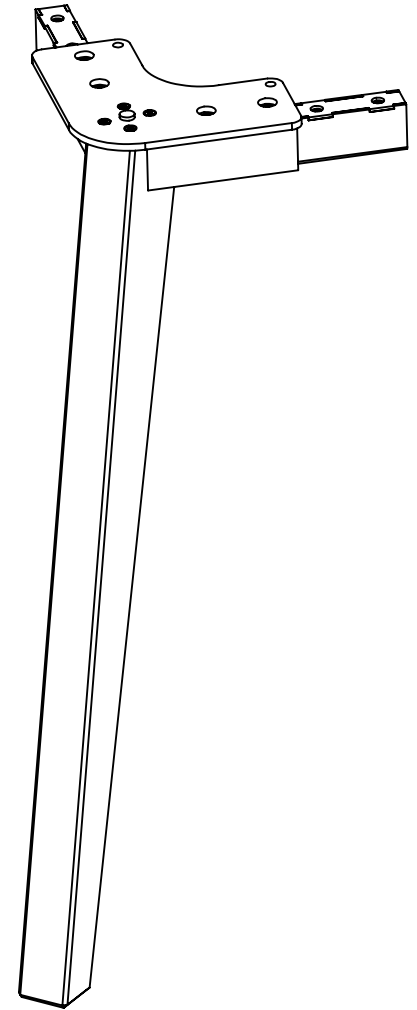
step 2

assemble U channel connector (MUC).
insert 4 x m8 bolts into
the U channel.
locate the flat plate on top.



step 3

to fit u-channel connector
assembly into corner leg bracket,
slide u channel half way into leg
bracket until the holes line up.
wind the bolts **anti-clockwise** to
hold the channel in the leg (hand
tight)



**martin corner leg
sub assembly**

VERCO

VERCO OFFICE FURNITURE LIMITED
CHAPEL LANE, SANDS, HIGH WYCOMBE. HP12 4BG
+44 (0) 01494 448000 www.verco.co.uk