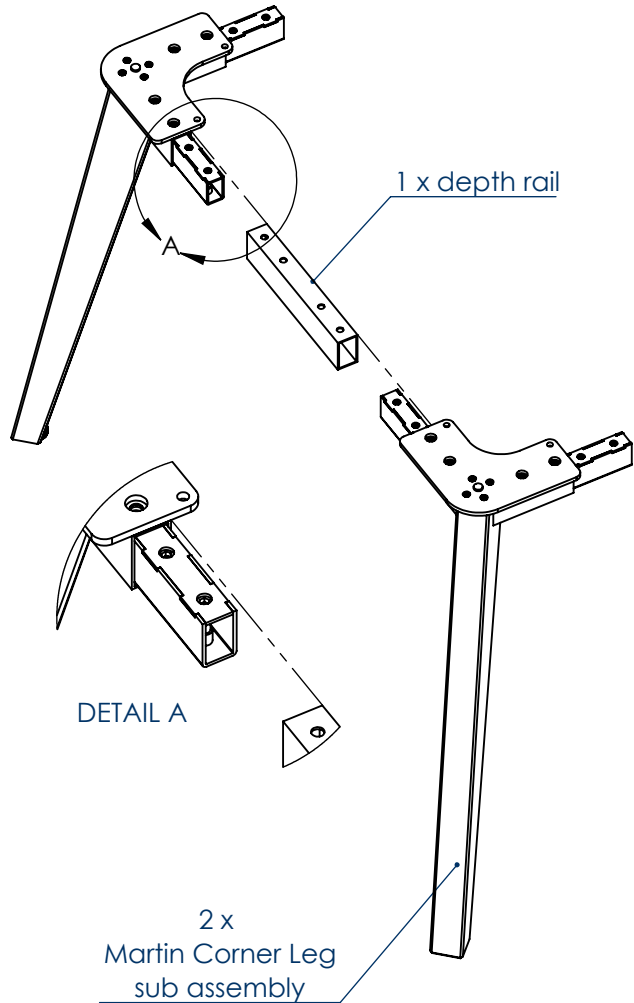


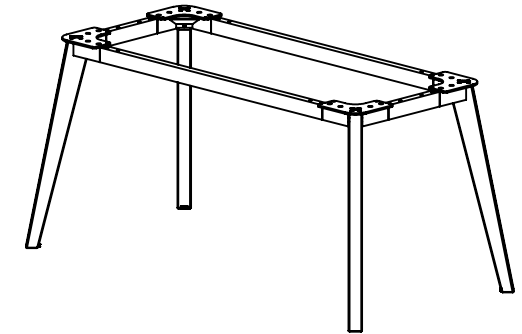
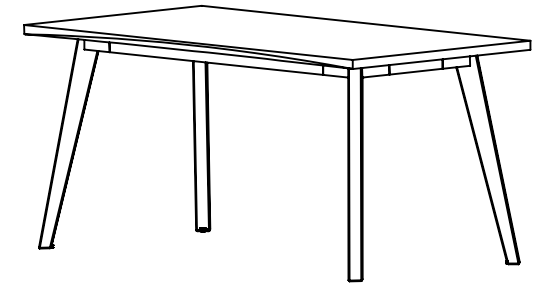
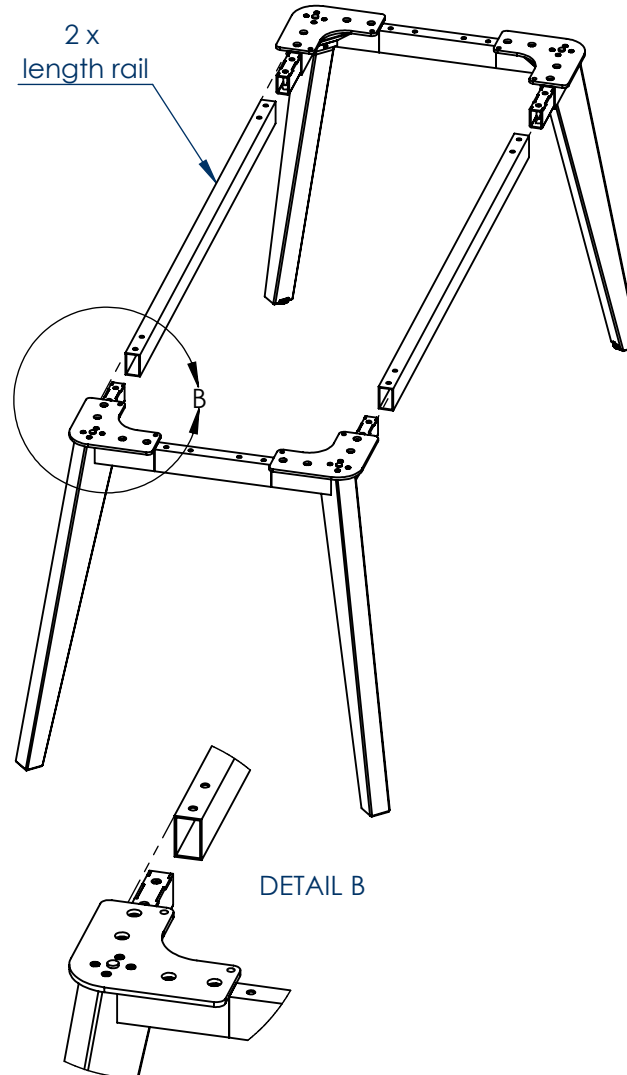
step 1

join 2x corner leg assemblies together with 1 of the depth rails supplied.
secure the rail to leg bracket by un-winding (**anti-clockwise**) the bolts within the U channel connectors.
these bolts are accessed through the holes in the rails & leg brackets



step 2

join both end section from (step1) using 2x length rails, sliding them on to the u channel connectors and securing as in step 1.

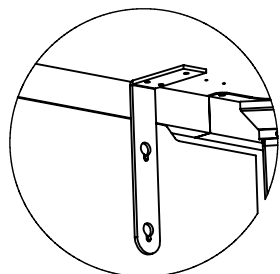
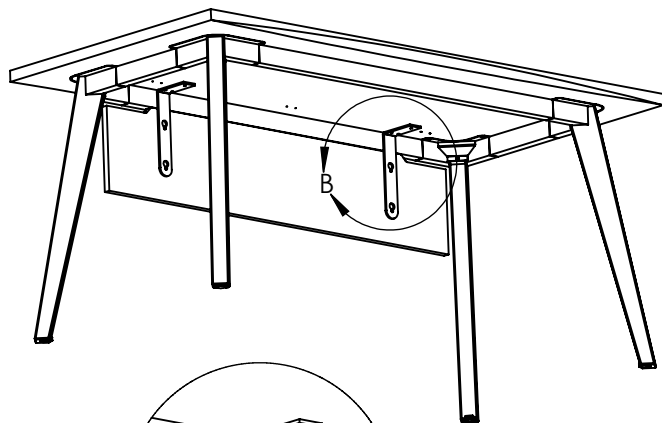


martin 4 leg desk/meeting table frame assembly

VERCO

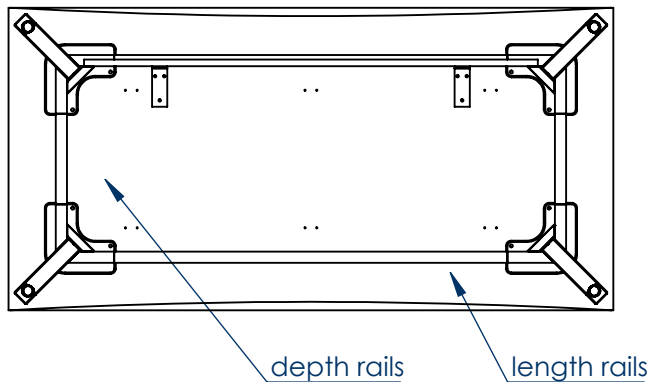
VERCO OFFICE FURNITURE LIMITED
CHAPEL LANE, SANDS, HIGH WYCOMBE. HP12 4BG
+44 (0) 01494 448000 www.verco.co.uk

modesty panel



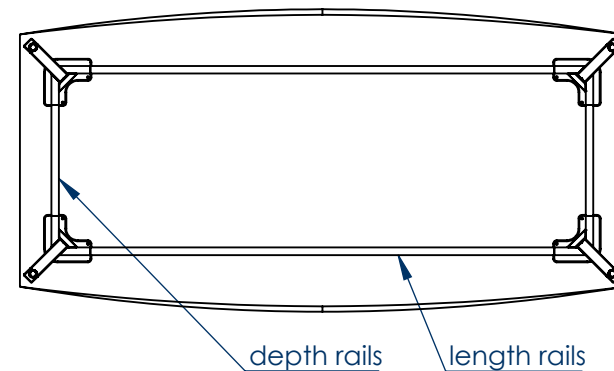
DETAIL B

desk - rail sizes



Model No	Depth rails (x2)	Length Rails (x2)
MD2010	MR440 (440mm)	MR1440 (1440mm)
MD1808	MR240 (240mm)	MR1240 (1240mm)
MD 1608	MR240 (240mm)	MR1040 (1040mm)
MD1408	MR240 (240mm)	MR840 (840mm)

1 piece barrel shaped meeting tables - rail sizes



Model No	Depth Rails (x2)	Length Rails (X2)
MCT 2412 B	MR440 (440MM)	MR1840 (1840MM)

VERCO

VERCO OFFICE FURNITURE LIMITED
 CHAPEL LANE, SANDS, HIGH WYCOMBE. HP12 4BG
 +44 (0) 01494 448000 www.verco.co.uk