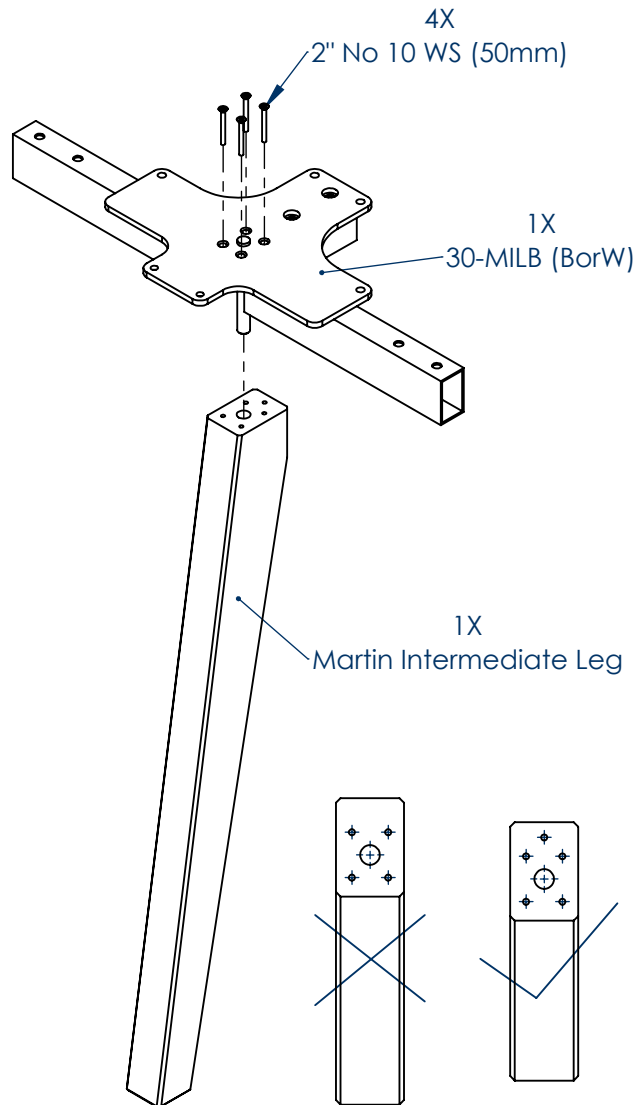


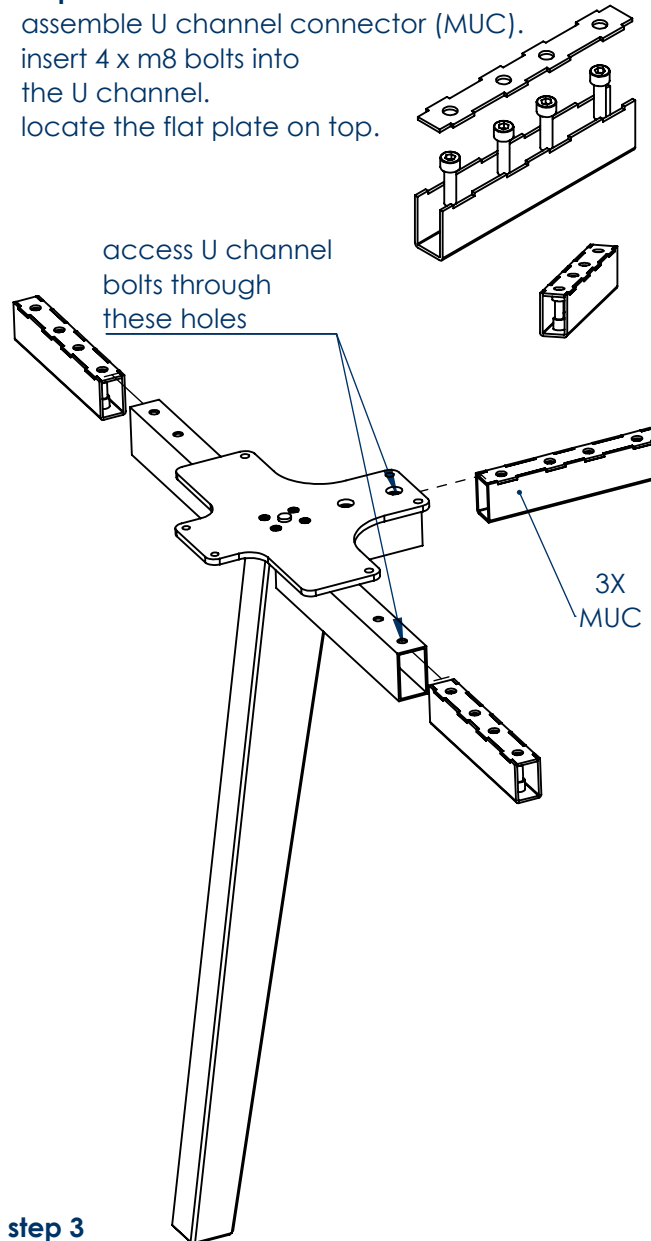
### step 1

identify intermediate leg then fix intermediate leg bracket to intermediate leg



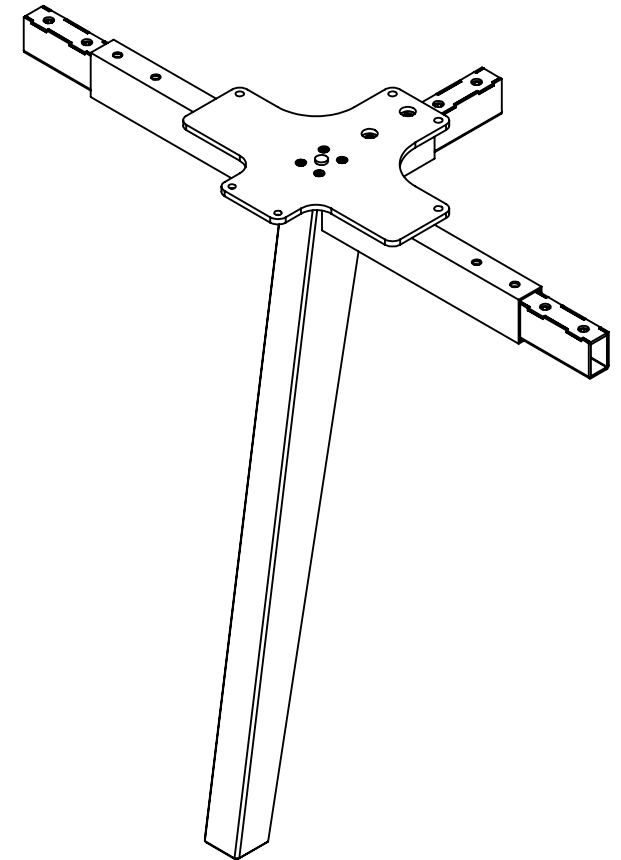
### step 2

assemble U channel connector (MUC).  
insert 4 x m8 bolts into the U channel.  
locate the flat plate on top.



### step 3

to fit u-channel connectors into intermediate leg bracket, slide u channel half way into leg bracket until the holes line up.  
wind the bolts **anti-clockwise** to hold the channel in the leg (hand tight)



**martin intermediate leg sub assembly**

# VERCO

VERCO OFFICE FURNITURE LIMITED  
CHAPEL LANE, SANDS, HIGH WYCOMBE. HP12 4BG  
+44 (0) 01494 448000 [www.verco.co.uk](http://www.verco.co.uk)