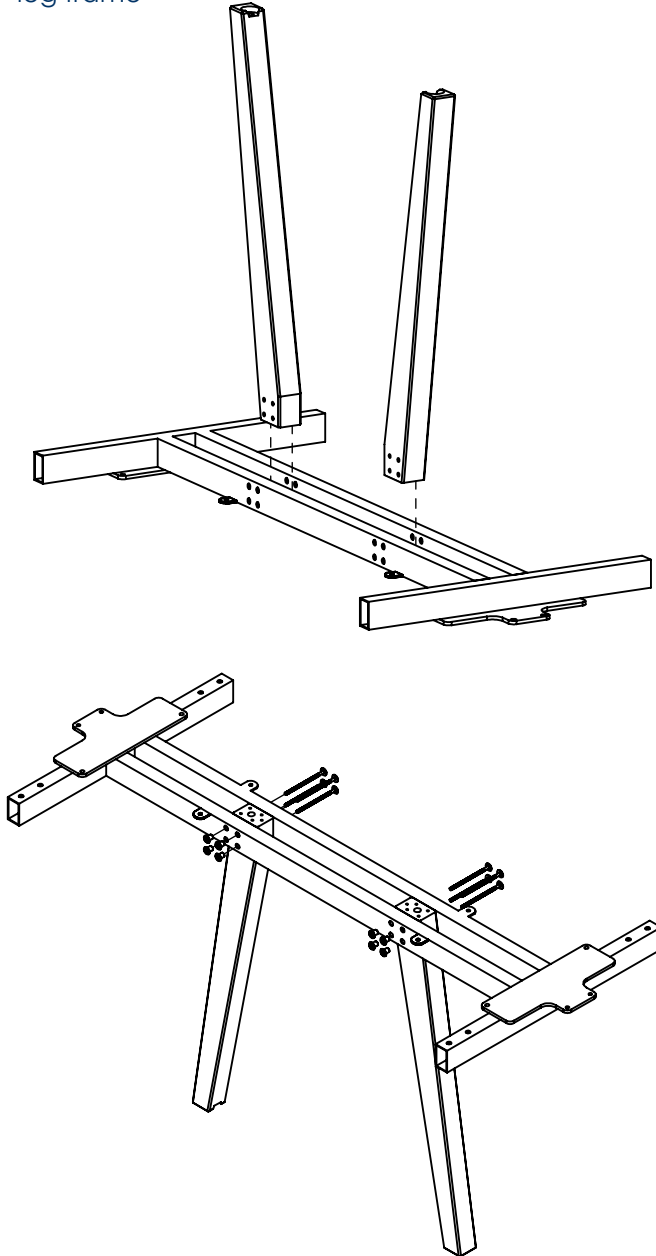


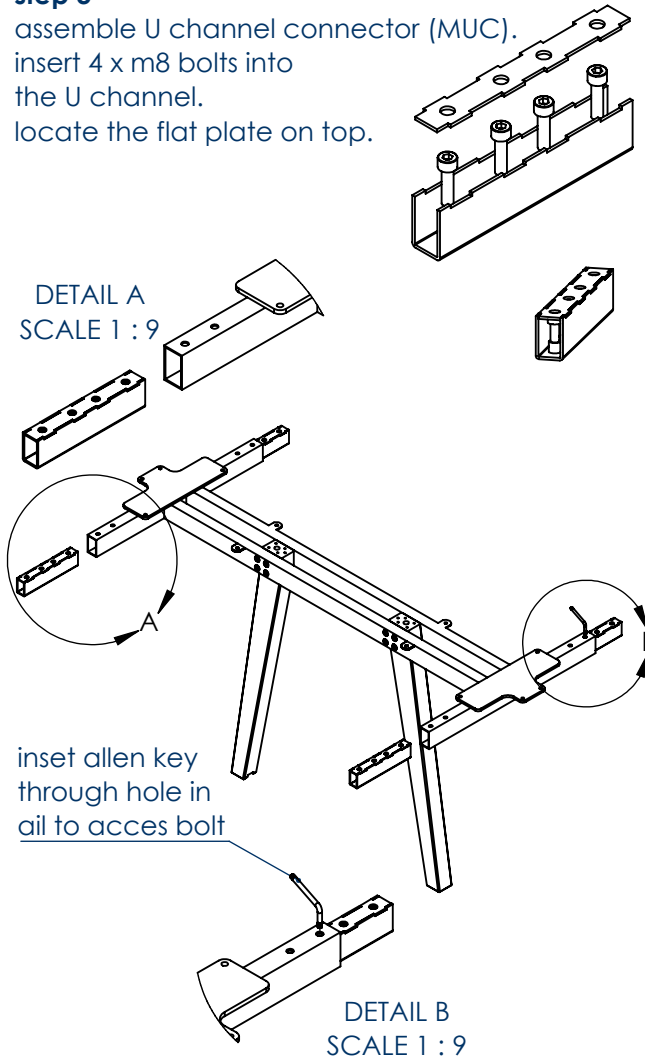
step 1
slide legs between the two rails on the cut back leg frame



step 2
bolt leg into position through the two rails using M6 x 100mm bolt & M6 sleeve nut

step 3

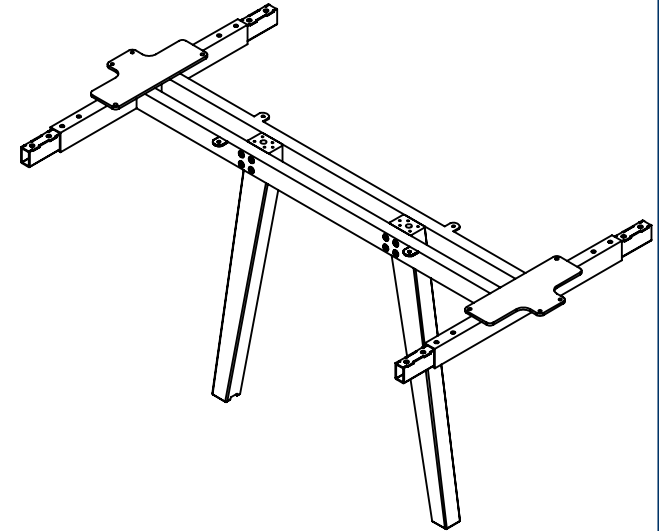
assemble U channel connector (MUC).
insert 4 x m8 bolts into the U channel.
locate the flat plate on top.



step 4

to fit u-channel connectors into intermediate leg frame, slide u channel half way into leg frame rails until the holes line up.
wind the bolts **anti-clockwise** to hold the channel in the leg (hand tight)

note: bolts must be inside the U channel connector (see step 3).
do **not** bolt through the top of the rail.



martin intermediate cut back legs
sub assembly

VERCO

VERCO OFFICE FURNITURE LIMITED
CHAPEL LANE, SANDS, HIGH WYCOMBE. HP12 4BG
+44 (0) 01494 448000 www.verco.co.uk