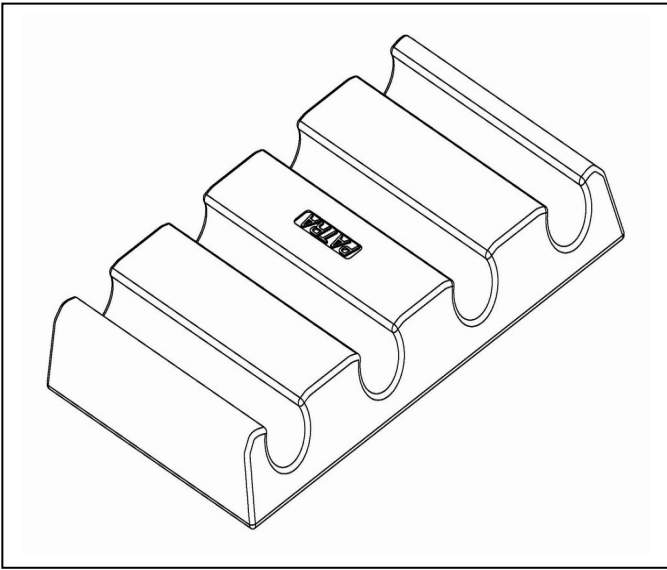
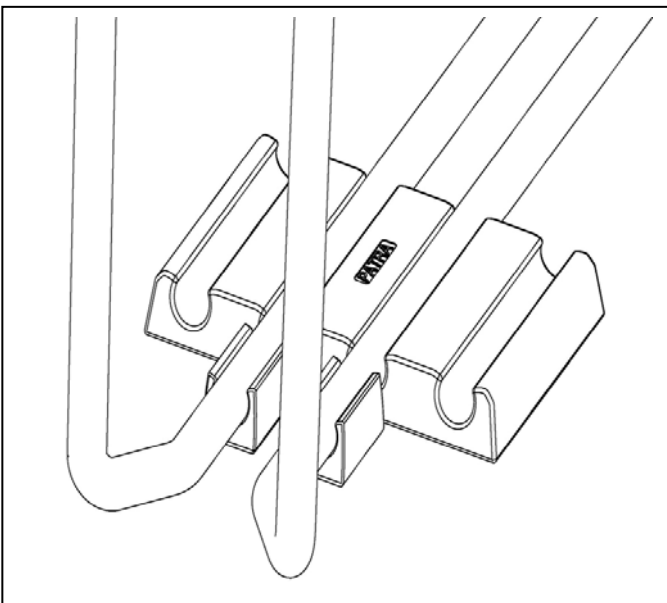


VERCO "STING" Linking device

January 2011



Place the linking "block" on the floor and position chairs over the device.



Select spacing and push the chair frame down firmly to locate.

Lift and twist off to separate.

NOTE : This device can also be fitted / snapped onto the top of the wire frame (at ground level) for temporary connection.