

VISUAL Panel

Rectangular and
Wave Desks

1 Carefully remove **Desk Top (A)** from packaging, place **Desk Top (A)** upside down on top of empty packaging. Remove **Fixings** from separate packaging.

Check all items against the **Contents List**, should any parts be missing, please contact **Customer Services** on **01494 448000**.

2 Take 8x **Wood Minifix Bolts (H)**, and screw into 8x Pre-Drilled Holes on both sides of **Desk Top (A)**.

3 Fix **Back Panel Bracket (F)** onto inside of **Modesty Panel (D)** using 2x **Flange Head Screws (G)** into the 2x Pilot Holes. (This only applies to Desk Tops over 1400mm).

4 To fit the **Modesty Panel (D)**, take the 2x **Desk Panel Ends (B+C)** and 4x **Wood Minifix Bolts (H)**, and screw into 2x Pre-Drilled Holes on each of the **Desk Panel Ends (B+C)**.

5 Carefully position the **RH Desk Panel End (B)** over 4x **Wood Minifix Bolts (H)** on **Desk Top (A)**, making sure **Minifix Cams (I)** and Pre-Drilled Holes are on inside of Desk. Using a Phillips Screwdriver, turn **Minifix Cams (I)** 180° clockwise to lock in position.

6 Offer **Modesty Panel (D)** up to the fixed **RH Desk Panel End (B)**, ensuring that **Minifix Cams (I)** are fully located over **Wood Minifix Bolts (H)**, but do not tighten.

7 Offer the **LH Desk Panel End (C)** up to the **Modesty Panel (D)**, ensuring that **Minifix Cams (I)** are fully located over **Wood Minifix Bolts (H)**, and tighten as in **Step 5**.

8 Lift and place the **LH Desk Panel End (C)** over 4x **Wood Minifix Bolts (H)** on **Desk Top (A)** making sure **Minifix Cams (I)** and Pre-Drilled Holes are on inside of Desk, and once securely positioned, tighten up **Minifix Cams (I)**.

9 Tighten up all **Minifix Cams (I)** which remain unlocked.

10 Using 1x **Flange Head Screw (G)**, fix **Back Panel Bracket (F)** to underside of **Desk Top (A)**. (This only applies to Desk Tops over 1400mm).

11 Screw 4x **Adjuster Feet (E)** into the threaded inserts in the 2x **Desk Panel Ends (B+C)**.

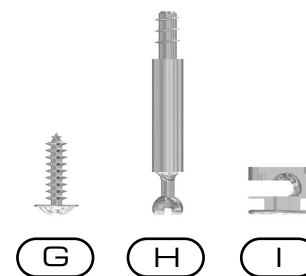
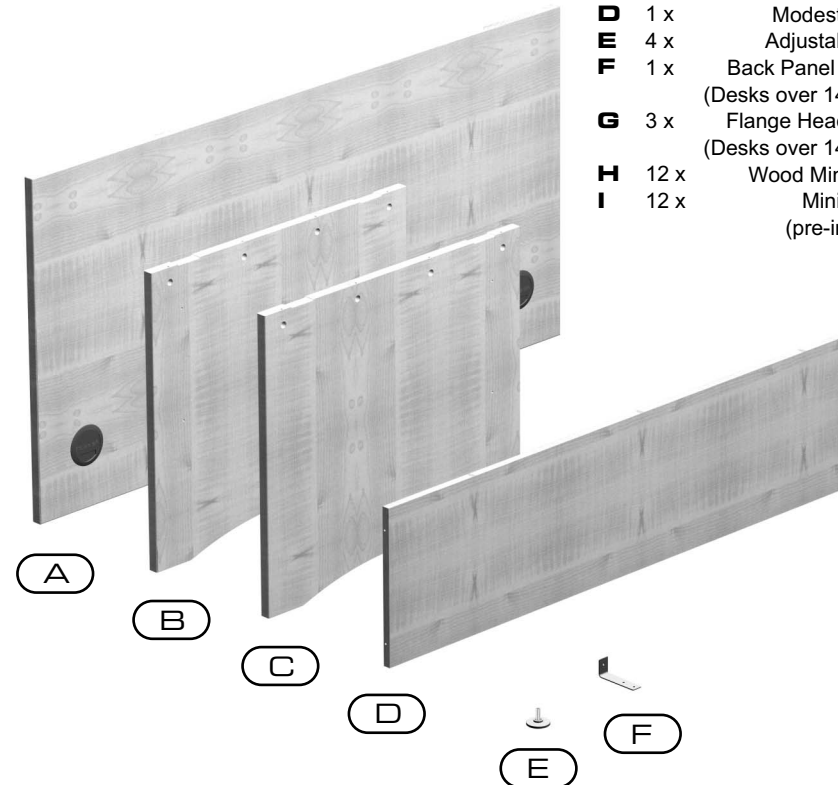
12 With the assistance of at least one other person, carefully turn entire Desk over and place in desired position.

VISUAL Panel

Rectangular and
Wave Desks

CONTENTS

A	1 x	Desk Top
B	1 x	RH Desk Panel End
C	1 x	LH Desk Panel End
D	1 x	Modesty Panel
E	4 x	Adjustable Foot
F	1 x	Back Panel Bracket (Desks over 1400mm)
G	3 x	Flange Head Screw (Desks over 1400mm)
H	12 x	Wood Minifix Bolt
I	12 x	Minifix Cam (pre-inserted)



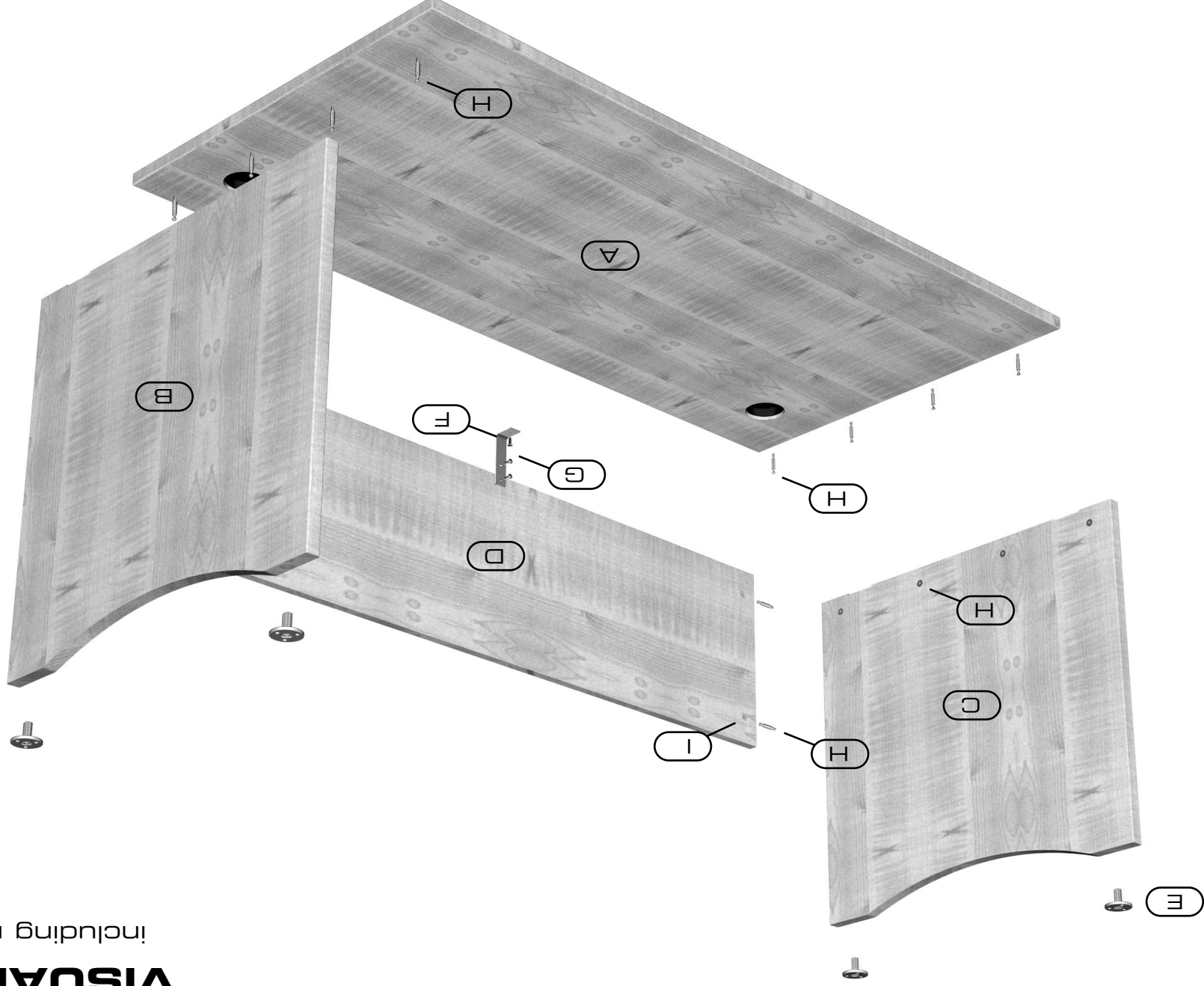
PLEASE CAREFULLY
READ INSTRUCTIONS
BEFORE COMMENCING
ASSEMBLY OF DESK

Assembly Instructions for VISUAL Panel

including model nos:

Rectangular Desks
V3 RD / 1008
V3 RD / 1208
V3 RD / 1408
V3 RD / 1608
V3 RD / 1808

Wave Desks
V3 WD / 1210 / L
V3 WD / 1210 / R
V3 WD / 1410 / L
V3 WD / 1410 / R
V3 WD / 1610 / L
V3 WD / 1610 / R
V3 WD / 1810 / L
V3 WD / 1810 / R



KEY

A Desk Top
B LH Desk Panel End
C RH Desk Panel End

D Modesty Panel

E Back Panel Bracket
F Adjustable Foot

G Flange Head Screw
H Wood Minifix Bolt
I Minifix Cam (pre-inserted)