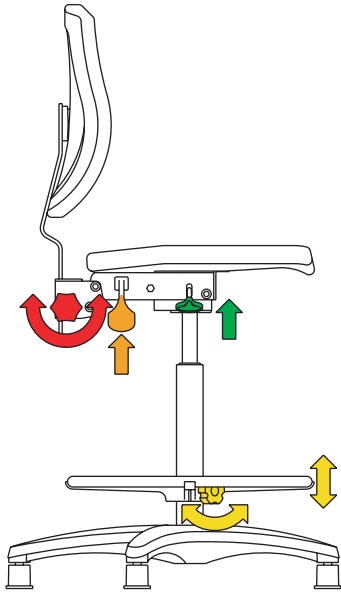


VERCO

Workchair

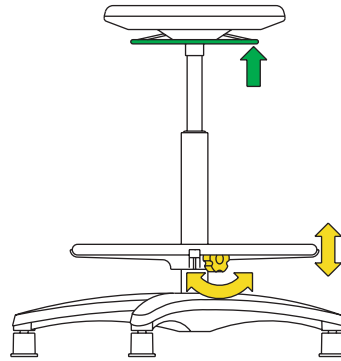
Operating
Instructions





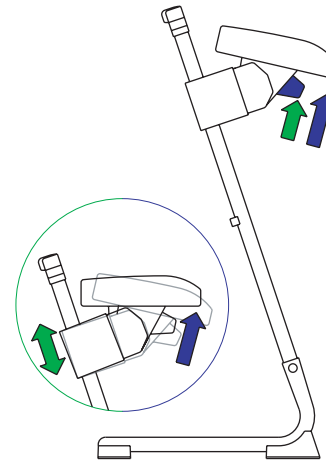
back height

turn knob anti-clockwise to release back, raise or lower to desired position, turn clockwise to lock.



back angle

lift lever and use body weight to adjust the angle of the back to desired position, release lever to lock.

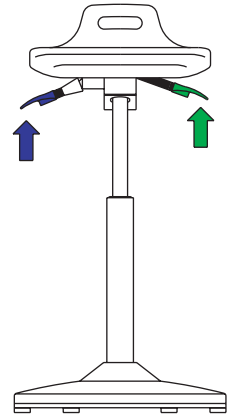


footrest height

turn knob anti-clockwise to release footrest, raise or lower to desired position, turn clockwise to lock.

seat height

fully lift lever to raise or lower seat to the desired height. release lever to lock.



seat angle

lift lever and use body weight to adjust the angle of the seat to desired position, release lever to lock.

care advice

Please regularly check that your chair's components are complete and in good working order and ensure that the chair is structurally sound and functioning properly.

Plastic components should be wiped with a soft cloth soaked in mild detergent and warm water. Rinse thoroughly and dry with a soft cloth.

Please visit www.verco.co.uk for further information.



VERCO
OFFICE FURNITURE LIMITED

www.verco.co.uk